

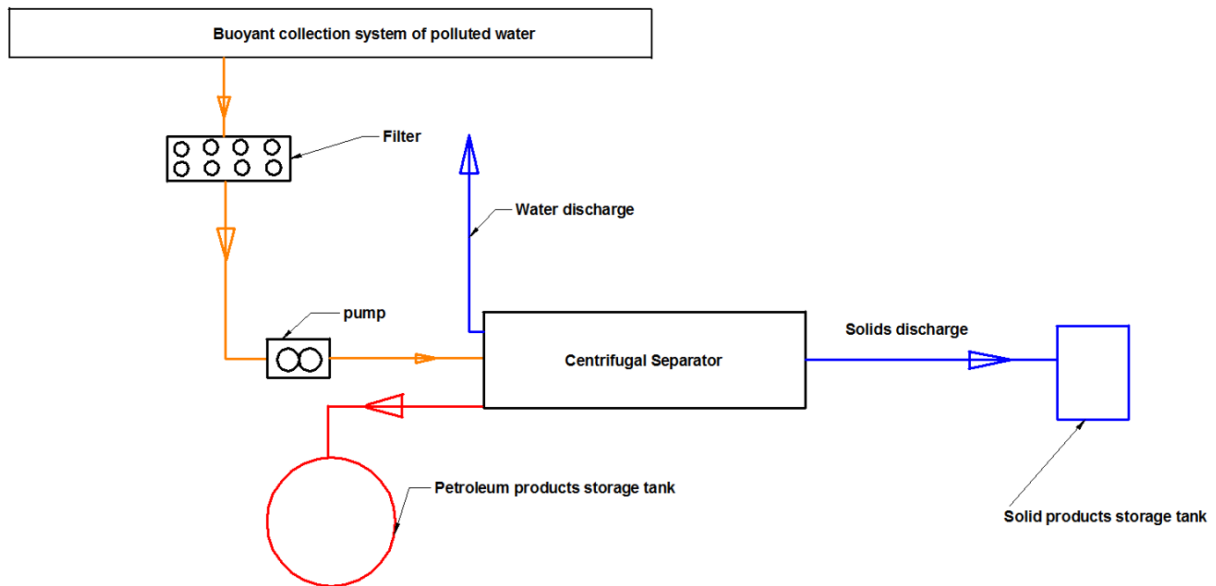
Prezentare rezultate engleza

Activity 1 Study on the desirability of elaborating a common strategy, new and original to prevent pollution of the Danube with petroleum products, evaluation of potential development researches in the field.

- Develop a study that included:
 - Identify sources of pollution with oil products
 - Romania and Bulgaria's legislation in this area
 - Danube water quality
 - Pollution impact
 - Strategies against pollution
 - Risk Management
 - Intervention methods used

Activity 2 Study on description constructive and technological parameters that must be followed. Develop preliminary project basis

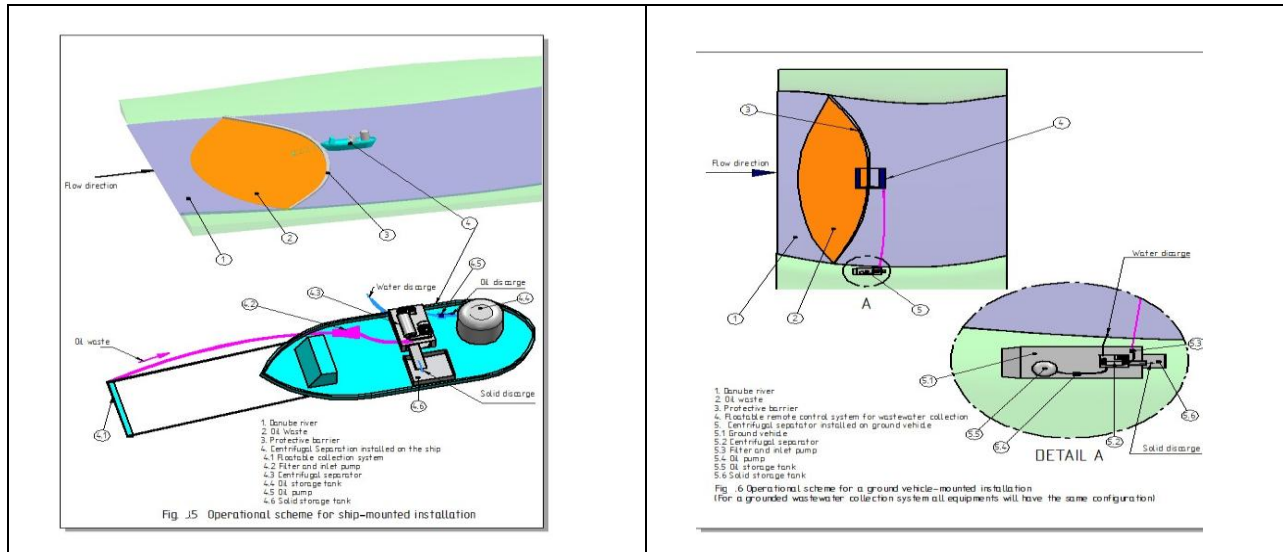
- Develop a study that included:
 - Research and new methods of ecological waste
 - Centrifugal separation of oil waste
 - Theoretical aspects of the phenomenon of centrifugal separation
 - The development of the preliminary project theme



General scheme for waste oil separation system

Activity 3 Study on possible constructive variations, technological implications. Complete project theme

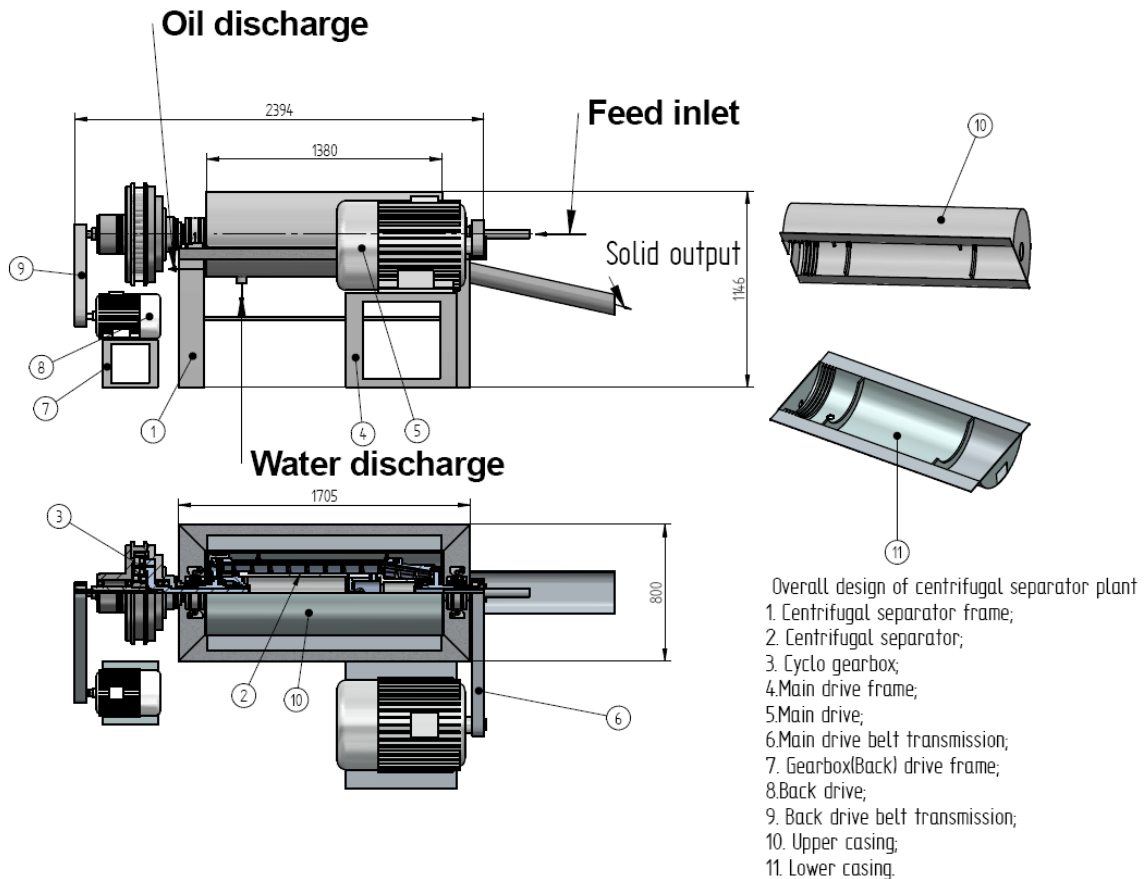
- Develop a study that included:
 - Study on possible constructive variants
 - Technological Implications
 - Complete design theme



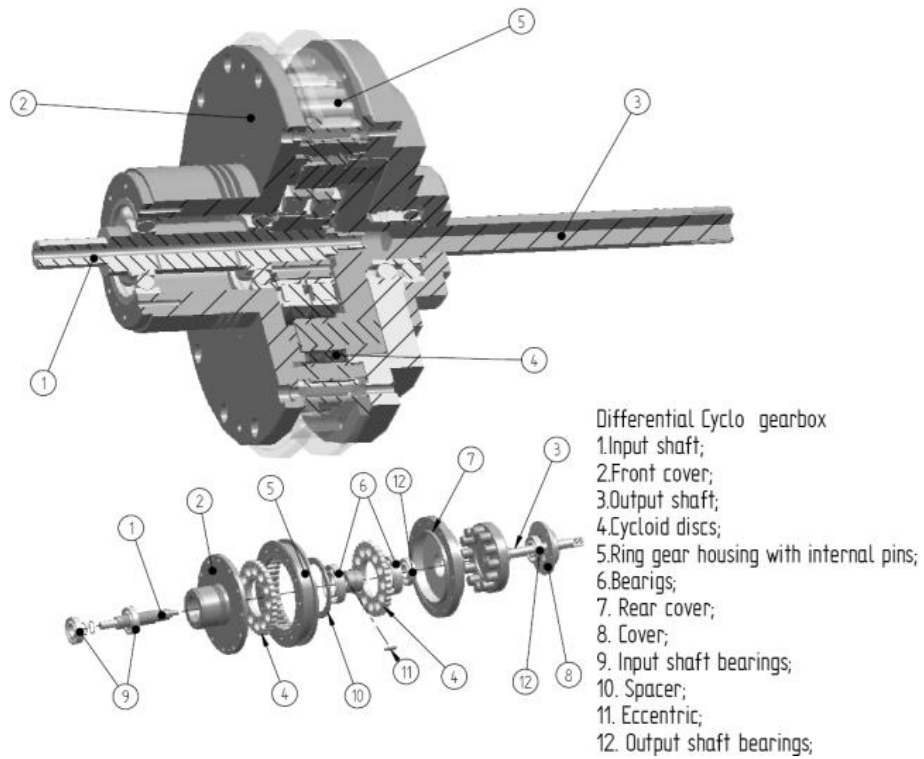
Constructive variants

Activity 4 Technical project of a new purification solution of water infested with oil

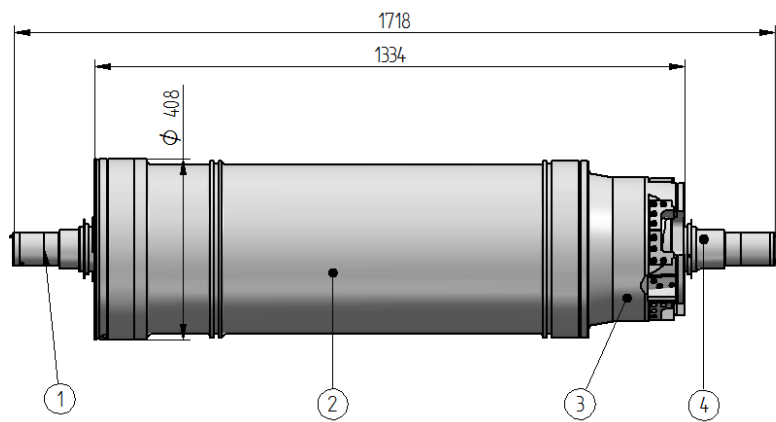
- special processing equipment by polluted with oil water one single stage centrifugation and separation in ecological products, water, solids and oil.



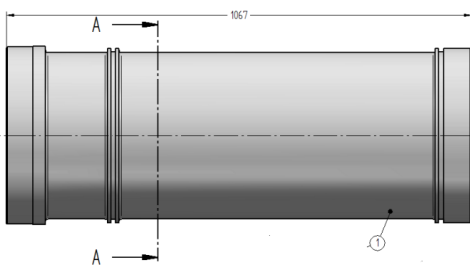
Cycloidal reduction gear



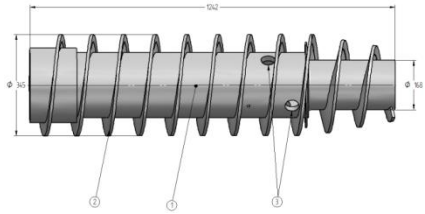
Activity 5 Execution details of the new purification solutions of the water infested with oil products



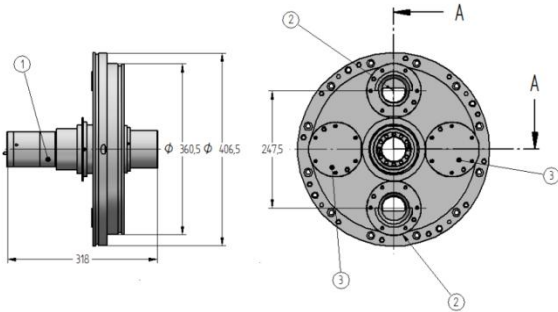
Basic bowl assembly



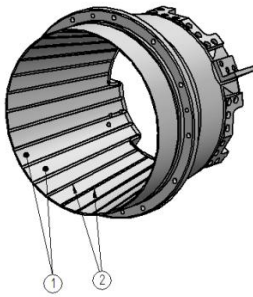
The bowl shell



The scroll hub



Front hub



Conical drying zone

Activity 6 Completion of a common strategy to prevent technological Danube pollution with oil and petroleum products. Widely dissemination of the project's results

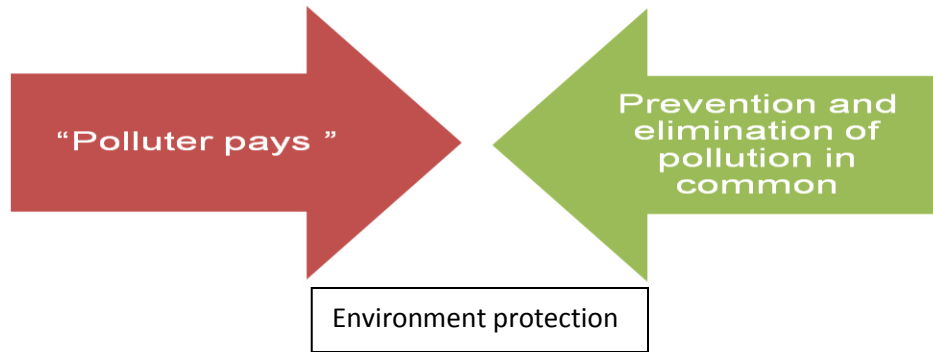
Strategy principles

- Common problem -Common solving
- Addressed problem - Total solved problem
- Environment -Life of our generation and future generations can not be valued
- Best solutions -Sustainable sollutions that promote durable development

« The Strategy Key «

The proposed strategy in the project involves processing, on-site contaminated water with oil and reinstatement into the natural circulation of the water and solid components, oil obtained would be taken in special tanks, the total and immediate problem solving. This is possible using **special processing equipment by polluted with oil water one single stage centrifugation and separation in ecological products, water, solids and oil.**

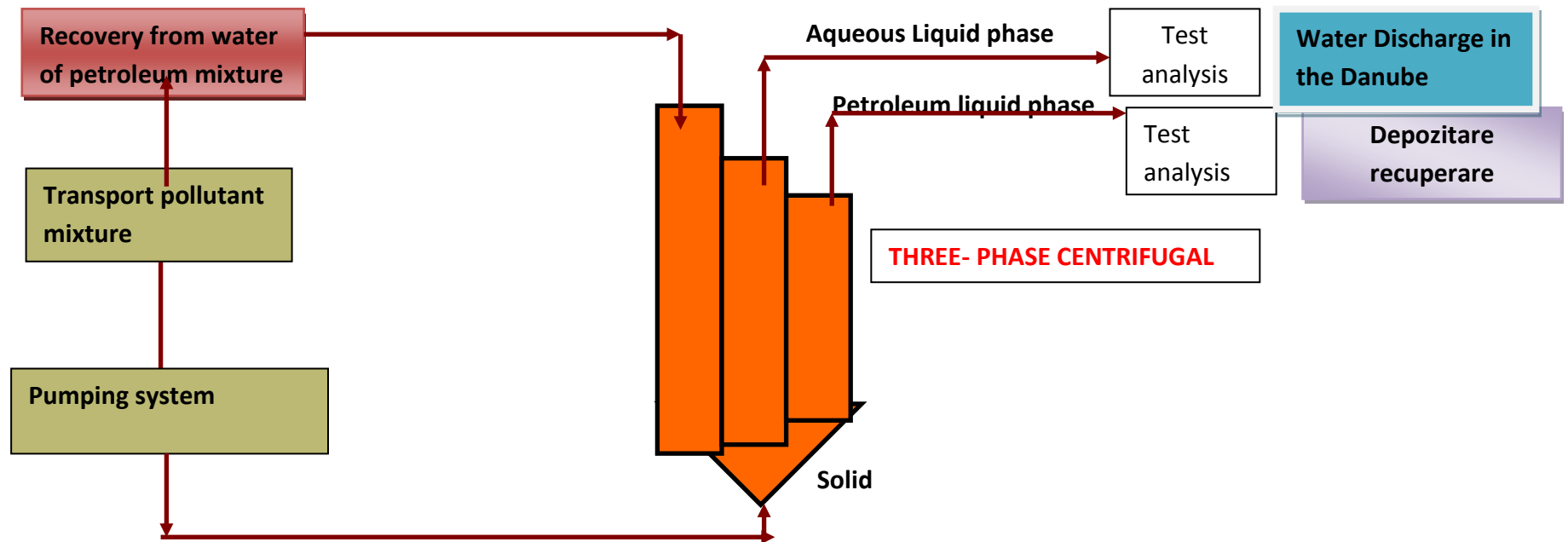
What new strategy proposes



Strategy benefits

- The possibility of immediate intervention in case of accidents, pollution prevention – removing in a situation with no solution at this time
- Shorter processing time and necessary processing costs – purge polluted water with oil from cleaning oil tanks and vessels
- Ability to easily access areas, places with polluted water
- Getting through one operation of three products, petroleum, water, solid, with properties that fall into specific quality standards, that can be restored immediately to the environment (water and solids) or industrial processes (petroleum)
- The collateral pollution process elimination of soil and ground water in storage spaces available at this time.

Specific centrifugal separation technology of three-phase



Widely dissemination of the project's results

•Thematically workshop 04.02. - 05.02.2012 - INCDT COMOTI Bucharest



- **Workshop 29-02. - 01-03 2012 - INCDT COMOTI Bucharest**



- **Conference 02.03-03.03.2012 - INCDT COMOTI Bucharest**





Participation in demonstrations organized in honor of National Day of Bulgaria in 03.03.2012 at the exhibition "Danube - European year River"(Museum of Bucharest).



- Caravan promotional 05 ÷06.03 2012 Calarasi – Giurgiu – Ruse – Silistra

